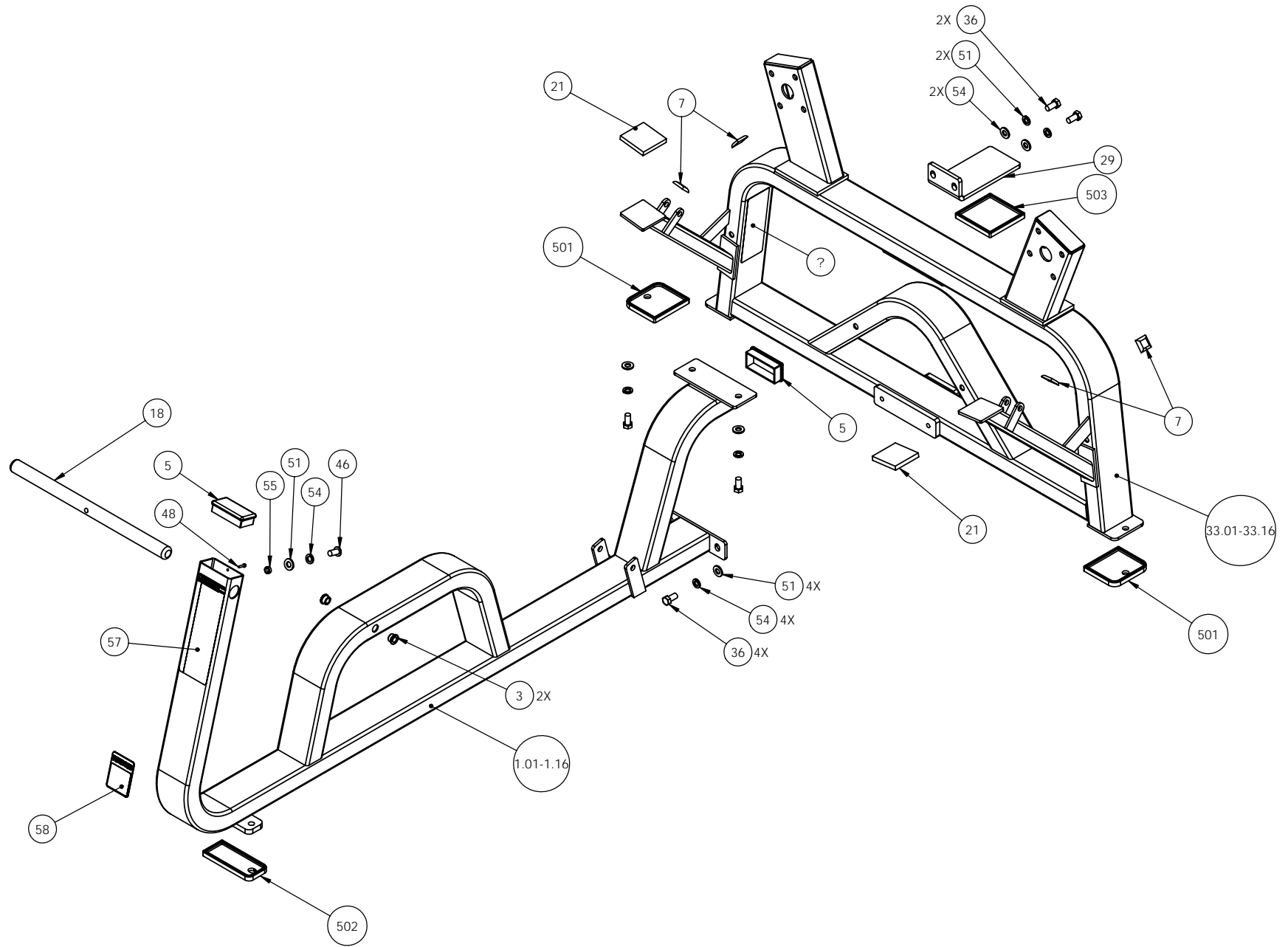
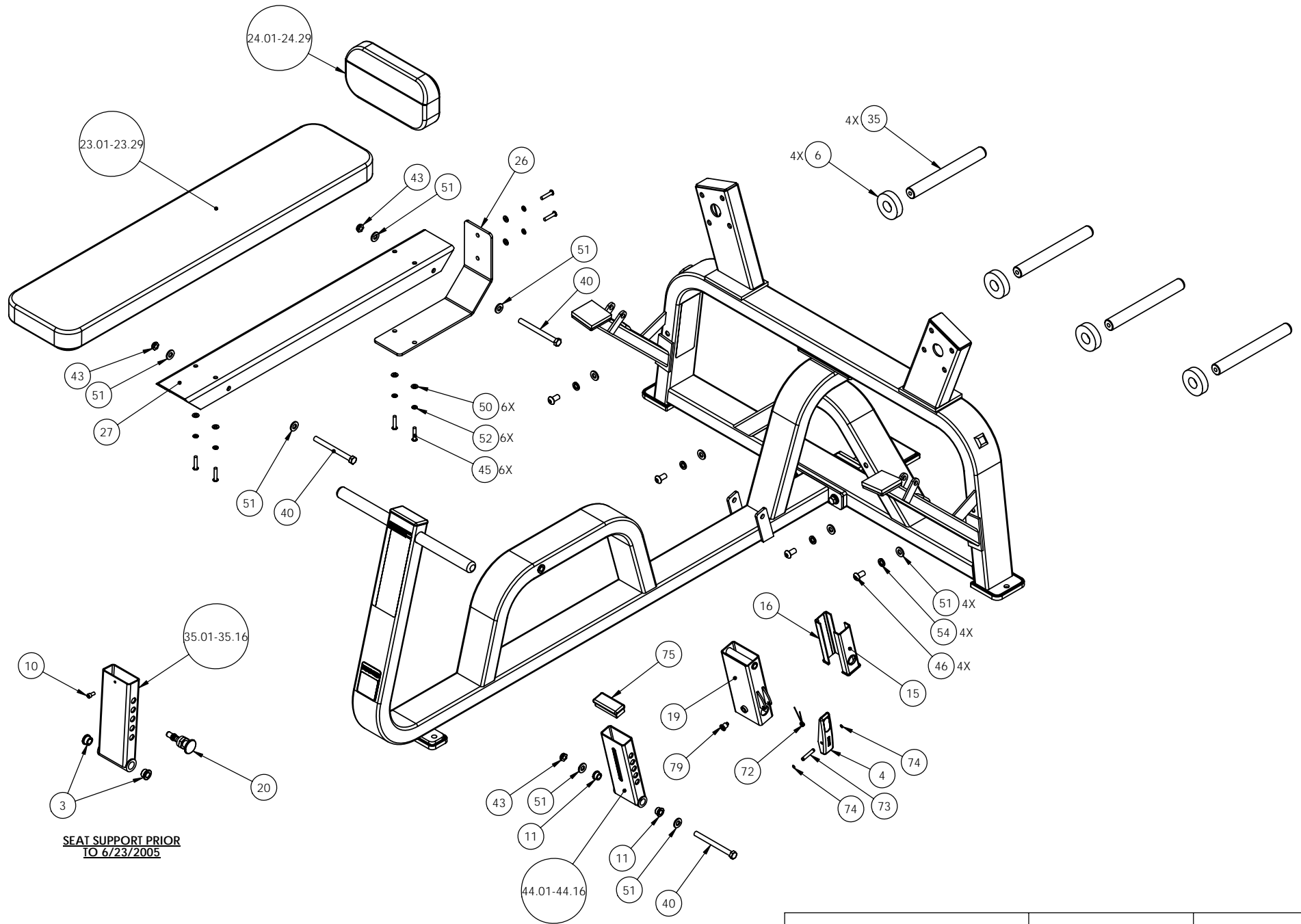


FLT540	P/N : CW31615-102	SUBREV : C
DRAWN BY : CT	DATE : 01.18.06	SHEET 1 OF 4

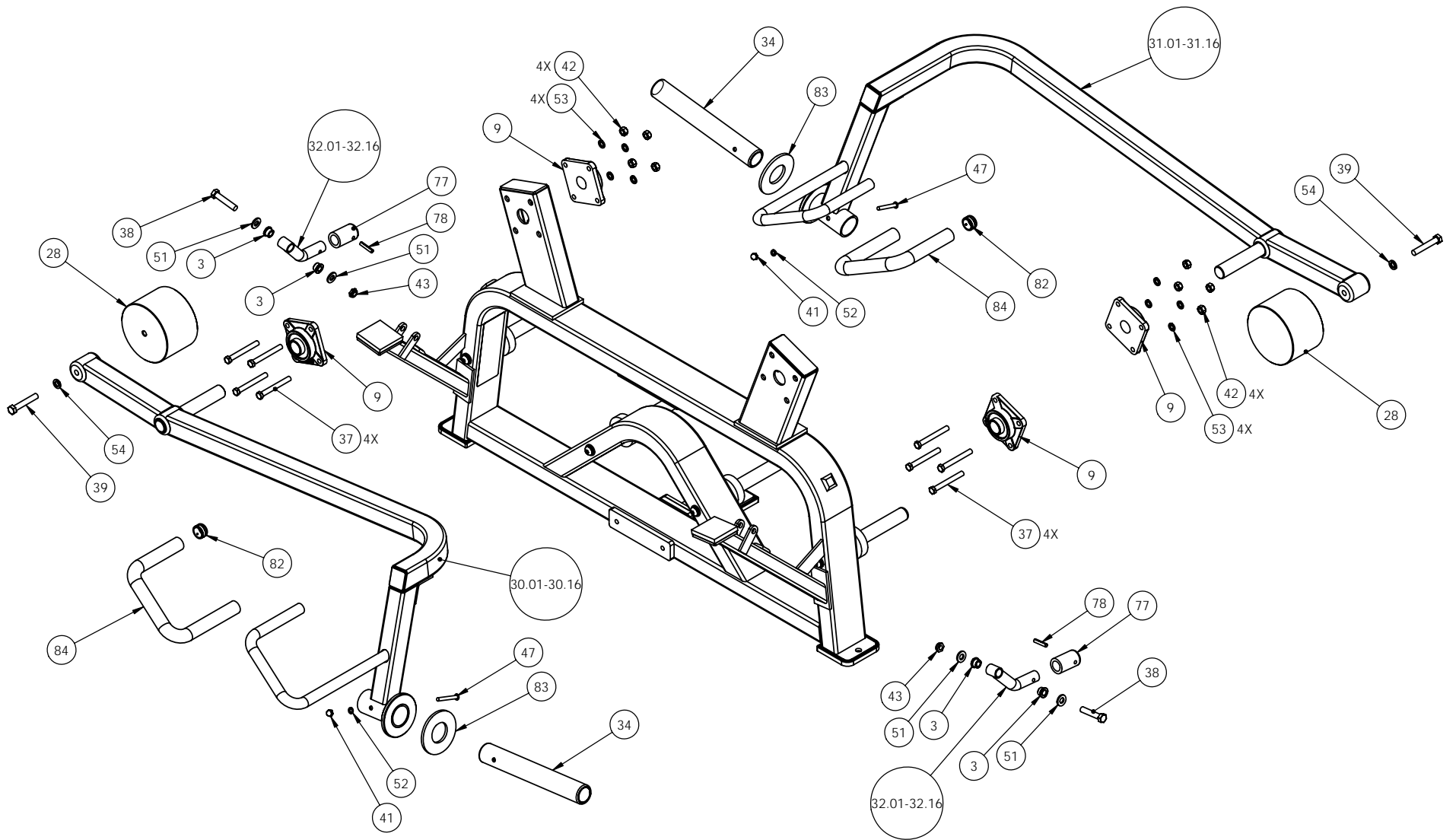


FLT540	P/N : CW31615-102	SUBREV : C
DRAWN BY : CT	DATE : 01.18.06	SHEET 2 OF 4



SEAT SUPPORT PRIOR  
TO 6/23/2005

FLT540	P/N : CW31615-102	SUBREV : C
DRAWN BY : CT	DATE : 01.18.06	SHEET 3 OF 4



FLT540	P/N : CW31615-102	SUBREV : C
DRAWN BY : CT	DATE : 01.18.06	SHEET 4 OF 4

**540 Flite Bench Press**

<b>Part Number</b>	<b>Description</b>	<b>Bubble Number</b>
CW540SA1-211	ASSY,FRAME,SEAT,FLT540, SKY WHITE	1.01
CW540SA1-221	ASSY,FRAME,SEAT,FLT540, BLACK	1.02
CW540SA1-231	ASSY,FRAME,SEAT,FLT540, RED	1.03
CW540SA1-241	ASSY,FRAME,SEAT,FLT540, PLATINUM SP	1.04
CW540SA1-251	ASSY,FRAME,SEAT,FLT540, SILVER	1.05
CW540SA1-261	ASSY,FRAME,SEAT,FLT540, BLUE	1.06
CW540SA1-271	ASSY,FRAME,SEAT,FLT540, CHARCOAL	1.07
CW540SA1-281	ASSY,FRAME,SEAT,FLT540, CATHEDRAL G	1.08
CW540SA1-291	ASSY,FRAME,SEAT,FLT540, SILVER VIEN	1.09
CW540SA1-311	ASSY,FRAME,SEAT,FLT540, STONE HG	1.11
CW540SA1-321	ASSY,FRAME,SEAT,FLT540, TITANIUM HG	1.12
CW540SA1-331	ASSY,FRAME,SEAT,FLT540, WHITE GLOSS	1.13
CW540SA1-341	ASSY,FRAME,SEAT,FLT540, BLACK ONYX	1.14
CW540SA1-351	ASSY,FRAME,SEAT,FLT540, LIGHT BRONZ	1.15
CW540SA1-361	ASSY,FRAME,SEAT,FLT540, SAPPHIRE BL	1.16
CW10043-132	BUSHING, BRONZE, 1/2" ID X 3/4" OD	3
CW30165-751	ASSY, POP PIN, 0.450 DIA HANDLE, B	4
CW32460-321	ASSY, RATCHETING LEVER, TITANIUM	4
CW11311-102	ENDCAP, REC TUBE, 2X4, BLK PLASTIC	5
CW12402-101	BUMPER, WEIGHT STACK, BLK RUBBER	6
CW12575-101	MOULDED BUMPON, BLACK, 31.75MM SQ (	7
CW12407-101	PILLOW BLOCK, BEARING, FLANGE, 4 BO	9
CWCAYN025-050	SCREW, SOCKET HEAD, BLK XYLAN	10
CW10043-132	BUSHING, BRONZE, 1/2" ID X 3/4" OD	11
CWAC1236-102	GUIDE INSERT, PLASTIC WITH HOLE, BL	15
CWAC1236-101	GUIDE INSERT, PLASTIC WITHOUT HOLE,	16
CWPF1419-711	BAR, STEEL RND, CHM,DIA 1 1/4" X (2	18
CW31611-711	ASSY, MALE BACKPAD SUPPORT,	19
CW30165-751	ASSY, POP PIN, 0.450 DIA HANDLE, B	20
CW30014-109	CREPE, BLK, 7/16 X (3) X (3)	21
CWPD1101H-101	PAD,FLAT,10X47,4HOLES,W/SLIP,BLACK	23.01
CWPD1101H-102	PAD,FLAT,10X47,4HOLES,W/SLIP,RYL BL	23.02
CWPD1101H-103	PAD,FLAT,10X47,4HOLES,W/SLIP,DVE GR	23.03
CWPD1101H-104	PAD,FLAT,10X47,4HOLES,W/SLIP,CROCUS	23.04
CWPD1101H-105	PAD,FLAT,10X47,4HOLES,W/SLIP,GROTTO	23.05
CWPD1101H-106	PAD,FLAT,10X47,4HOLES,W/SLIP,GRAPHI	23.06
CWPD1101H-107	PAD,FLAT,10X47,4HOLES,W/SLIP,RED	23.07
CWPD1101H-108	PAD,FLAT,10X47,4HOLES,W/SLIP,CHN GR	23.08
CWPD1101H-109	PAD,FLAT,10X47,4HOLES,W/SLIP,TURQSE	23.09
CWPD1101H-110	PAD,FLAT,10X47,4HOLES,W/SLIP,RASP	23.1
CWPD1101H-111	PAD,FLAT,10X47,4HOLES,W/SLIP,PLUM	23.11
CWPD1101H-112	PAD,FLAT,10X47,4HOLES,W/SLIP,REGIME	23.12
CWPD1101H-113	PAD,FLAT,10X47,4HOLES,W/SLIP,SPC BL	23.13
CWPD1101H-115	PAD,FLAT,10X47,4HOLES,W/SLIP,BLK LT	23.15
CWPD1101H-116	PAD,FLAT,10X47,4HOLES,W/SLIP,NVBL L	23.16
CWPD1101H-117	PAD,FLAT,10X47,4HOLES,W/SLIP,PUTTY	23.17
CWPD1101H-118	PAD,FLAT,10X47,4HOLES,W/SLIP,IMPRL	23.18
CWPD1101H-119	PAD,FLAT,10X47,4HOLES,W/SLIP,YEW GR	23.19
CWPD1101H-120	PAD,FLAT,10X47,4HLES,W/SLIP,DSTY JA	23.2

CWPD1101H-121	PAD,FLAT,10X47,4HLES,W/SLIP,TRRA CT	23.21
CWPD1101H-123	PAD,FLAT,10X47,4HLS,W/SLIP,ASH LTHR	23.23
CWPD1101H-124	PAD,FLAT,10X47,4HLS,W/SLIP,CERULN L	23.24
CWPD1101H-125	PAD,FLAT,10X47,4HLS,W/SLIP,CHARCL L	23.25
CWPD1101H-126	PAD,FLAT,10X47,4HLS,W/SLIP,HUNTER L	23.26
CWPD1101H-127	PAD,FLAT,10X47,4HLS,W/SLIP,MOSS LTH	23.27
CWPD1101H-128	PAD,FLAT,10X47,4HLS,W/SLIP,SPICE LT	23.28
CWPD1101H-129	PAD,FLAT,10X47,4HLS,W/SLIP,TOMATO L	23.29
CWPD1123B-101	PAD,6X12,2HOLES,W/BP,BLACK	24.01
CWPD1123B-102	PAD,6X12,2HOLES,W/BP,RYL BL	24.02
CWPD1123B-103	PAD,6X12,2HOLES,W/BP,DVE GRY	24.03
CWPD1123B-104	PAD,6X12,2HOLES,W/BP,CROCUS	24.04
CWPD1123B-105	PAD,6X12,2HOLES,W/BP,GROTTO	24.05
CWPD1123B-106	PAD,6X12,2HOLES,W/BP,GRAPHITE	24.06
CWPD1123B-107	PAD,6X12,2HOLES,W/BP,RED	24.07
CWPD1123B-108	PAD,6X12,2HOLES,W/BP,CHN GRN	24.08
CWPD1123B-109	PAD,6X12,2HOLES,W/BP,TURQSE	24.09
CWPD1123B-110	PAD,6X12,2HOLES,W/BP,RASP	24.1
CWPD1123B-111	PAD,6X12,2HOLES,W/BP,PLUM	24.11
CWPD1123B-112	PAD,6X12,2HOLES,W/BP,REGIMENT	24.12
CWPD1123B-113	PAD,6X12,2HOLES,W/BP,SPC BLUE	24.13
CWPD1123B-115	PAD,6X12,2HOLES,W/BP,BLK LTHR	24.15
CWPD1123B-116	PAD,6X12,2HOLES,W/BP,NVBL LTH	24.16
CWPD1123B-117	PAD,6X12,2HOLES,W/BP,PUTTY	24.17
CWPD1123B-118	PAD,6X12,2HOLES,W/BP,IMPRL BL	24.18
CWPD1123B-119	PAD,6X12,2HOLES,W/BP,YEW GRN	24.19
CWPD1123B-120	PAD,6X12,2HOLES,W/BP,DSTY JD	24.2
CWPD1123B-121	PAD,6X12,2HOLES,W/BP,TER COT	24.21
CWPD1123B-123	PAD,6X12,2HOLES,W/BP,ASH LTHR	24.23
CWPD1123B-124	PAD,6X12,2HOLES,W/BP,CERULEAN LTHR	24.24
CWPD1123B-125	PAD,6X12,2HOLES,W/BP,CHARCOAL LTHR	24.25
CWPD1123B-126	PAD,6X12,2HOLES,W/BP,HUNTER LTHR	24.26
CWPD1123B-127	PAD,6X12,2HOLES,W/BP,MOSS LTHR	24.27
CWPD1123B-128	PAD,6X12,2HOLES,W/BP,SPICE LTHR	24.28
CWPD1123B-129	PAD,6X12,2HOLES,W/BP,TOMATO LTHR	24.29
CWPF1725-741	BAR,STEEL RND, DIA 1 1/4" X (11), 1	25
CWPF2003-721	PLATE,STEEL,1/4" THICK, 2 BENDS, WR	26
CWPF2219-721	BAR,STEEL, FLAT, 3/8 X 4 X (10), 1	29
CWSA1093-211	ASSY,ARM,LEFT,SKY WHITE	30.01
CWSA1093-221	ASSY,ARM,LEFT,BLACK	30.02
CWSA1093-231	ASSY,ARM,LEFT,RED	30.03
CWSA1093-241	ASSY,ARM,LEFT,PLAT SPKLE	30.04
CWSA1093-251	ASSY,ARM,LEFT,SILVER	30.05
CWSA1093-261	ASSY,ARM,LEFT,BLUE	30.06
CWSA1093-271	ASSY,ARM,LEFT,CHARCOAL	30.07
CWSA1093-281	ASSY,ARM,LEFT,CATH GRY	30.08
CWSA1093-291	ASSY,ARM,LEFT,SILVER VIEN	30.09
CWSA1093-311	ASSY,ARM,LEFT,STONE HG	30.11
CWSA1093-321	ASSY,ARM,LEFT,TITANIUM HG	30.12
CWSA1093-331	ASSY,ARM,LEFT,WHITE GLOSS	30.13
CWSA1093-341	ASSY,ARM,LEFT,BLACK ONYX	30.14

CWSA1093-351	ASSY,ARM,LEFT,LIGHT BRONZE	30.15
CWSA1093-361	ASSY,ARM,LEFT,SAPPHIRE BLUE	30.16
CWSA1094-211	ASSY,ARM,RIGHT,SKY WHITE	31.01
CWSA1094-221	ASSY,ARM,RIGHT,BLACK	31.02
CWSA1094-231	ASSY,ARM,RIGHT,RED	31.03
CWSA1094-241	ASSY,ARM,RIGHT,PLAT SPKLE	31.04
CWSA1094-251	ASSY,ARM,RIGHT,SILVER	31.05
CWSA1094-261	ASSY,ARM,RIGHT,BLUE	31.06
CWSA1094-271	ASSY,ARM,RIGHT,CHARCOAL	31.07
CWSA1094-281	ASSY,ARM,RIGHT,CATH GRY	31.08
CWSA1094-291	ASSY,ARM,RIGHT,SILVER VIEN	31.09
CWSA1094-311	ASSY,ARM,RIGHT,STONE HG	31.11
CWSA1094-321	ASSY,ARM,RIGHT,TITANIUM HG	31.12
CWSA1094-331	ASSY,ARM,RIGHT,WHITE GLOSS	31.13
CWSA1094-341	ASSY,ARM,RIGHT,BLACK ONYX	31.14
CWSA1094-351	ASSY,ARM,RIGHT,LIGHT BRONZE	31.15
CWSA1094-361	ASSY,ARM,RIGHT,SAPPHIRE BLUE	31.16
CWSA1095-211	ASSY, SWIVEL HEIGHT ADJ, SKY WHITE	32.01
CWSA1095-221	ASSY, SWIVEL HEIGHT ADJ, BLACK	32.02
CWSA1095-231	ASSY, SWIVEL HEIGHT ADJ, RED	32.03
CWSA1095-241	ASSY, SWIVEL HEIGHT ADJ, PLAT SPKLE	32.04
CWSA1095-251	ASSY, SWIVEL HEIGHT ADJ, SILVER	32.05
CWSA1095-261	ASSY, SWIVEL HEIGHT ADJ, BLUE	32.06
CWSA1095-271	ASSY, SWIVEL HEIGHT ADJ, CHARCOAL	32.07
CWSA1095-281	ASSY, SWIVEL HEIGHT ADJ, CATHGRAY	32.08
CWSA1095-291	ASSY, SWIVEL HEIGHT ADJ, SILVER VIE	32.09
CWSA1095-311	ASSY, SWIVEL HEIGHT ADJ, STONE HG	32.11
CWSA1095-321	ASSY, SWIVEL HEIGHT ADJ, TITANIUM H	32.12
CWSA1095-331	ASSY, SWIVEL HEIGHT ADJ, WHITE GLOS	32.13
CWSA1095-341	ASSY, SWIVEL HEIGHT ADJ, BLACK ONYX	32.14
CWSA1095-351	ASSY, SWIVEL HEIGHT ADJ, LIGHT BRON	32.15
CWSA1095-361	ASSY, SWIVEL HEIGHT ADJ, SAPPHIRE B	32.16
CWSA2000-211	ASSY,FRAME,MAIN,2000,SKY WHITE	33.01
CWSA2000-221	ASSY,FRAME,MAIN,2000,BLACK	33.02
CWSA2000-231	ASSY,FRAME,MAIN,2000,RED	33.03
CWSA2000-241	ASSY,FRAME,MAIN,2000,PLAT SPRKLE	33.04
CWSA2000-251	ASSY,FRAME,MAIN,2000,SILVER	33.05
CWSA2000-261	ASSY,FRAME,MAIN,2000,BLUE	33.06
CWSA2000-271	ASSY,FRAME,MAIN,2000,CHARCOAL	33.07
CWSA2000-281	ASSY,FRAME,MAIN,2000,CATH GRAY	33.08
CWSA2000-291	ASSY,FRAME,MAIN,2000,SILVER VIEN	33.09
CWSA2000-311	ASSY,FRAME,MAIN,FLT540,STONE HG	33.11
CWSA2000-321	ASSY,FRAME,MAIN,2000,TITANIUM HG	33.12
CWSA2000-331	ASSY,FRAME,MAIN,2000,WHITE GLOSS	33.13
CWSA2000-341	ASSY,FRAME,MAIN,2000,BLACK ONYX	33.14
CWSA2000-351	ASSY,FRAME,MAIN,2000,LT. BRONZE	33.15
CWSA2000-361	ASSY,FRAME,MAIN,2000,SAPPHIRE BL	33.16
CWSA2042-741	ASSY, WEIGHT HOLDER,	34
CWSA3022-211	ASSY,FEMALE BACKPAD SELECTOR,FLT540	35.01
CWSA3022-221	ASSY,FEMALE BACKPAD SELECTOR,FLT540	35.02
CWSA3022-231	ASSY,FEMALE BACKPAD SELECTOR,FLT540	35.03

CWSA3022-241	ASSY,FEMALE BACKPAD SELECTOR,FLT540	35.04
CWSA3022-251	ASSY,FEMALE BACKPAD SELECTOR,FLT540	35.05
CWSA3022-261	ASSY,FEMALE BACKPAD SELECTOR,FLT540	35.06
CWSA3022-271	ASSY,FEMALE BACKPAD SELECTOR,FLT540	35.07
CWSA3022-281	ASSY,FEMALE BACKPAD SELECTOR,FLT540	35.08
CWSA3022-291	ASSY,FEMALE BACKPAD SELECTOR,FLT540	35.09
CWSA3021-311	ASSY,FEMALE BACKPAD SELECTOR,STONE	35.11
CWSA3022-321	ASSY,FEMALE BACKPAD SELECTOR,FLT540	35.12
CWSA3022-331	ASSY,FEMALE BACKPAD SELECTOR,FLT540	35.13
CWSA3022-341	ASSY,FEMALE BACKPAD SELECTOR,FLT540	35.14
CWSA3022-351	ASSY,FEMALE BACKPAD SELECTOR,FLT540	35.15
CWSA3022-361	ASSY,FEMALE BACKPAD SELECTOR,FLT540	35.16
CWHCYN050-100	SCREW,HEX HEAD,BLK XYLAN,1/2-13 X 1	36
CWHCYN044-375	SCREW, HEX HEAD , BLK XYLA	37
CWHCYN050-250	SCREW, HEX HEAD, BLK XYLAN, 1/2-13	38
CWHCYN050-300	SCREW, HEX HEAD, BLK XYLAN, 1/2-13	39
CWHCYN050-550	SCREW, HEX,BLK, 1/2-13 X 5 1/2	40
CWKADLN031-053	NUT, ACORN, 5/16-18	41
CWKMYN044-038	NUT, HEX, UNC, 7/16-14, BLK XYLAN	42
CWKAYN050-031	LOCKNUT, NYLON INSERT, HALF, UNC, 1	43
CWSA3021-312	ASSY,FEMALE BACKPAD SELECTOR,STONE	44.11
CWTAYN031-150	SCREW, BUTTON HEAD, BLK XYLAN,5/16	45
CWTAYN050-100	SCREW, BUTTON HEAD, BLK XYLAN, 1/2	46
CWPJCN016-075	SCREW, S/T, #8 X 3/4, WASHER HEAD,	48
CWWBKN031-007	WASHER, FLAT, TYPE A, SAE, 5/16 ID	50
CWWBKN050-010	WASHER, FLAT, TYPE A, SAE, 1/2 ID X	51
CWWALYN031-008	WASHER, SPLIT, 5/16 ID, BL	52
CWWALYN044-011	WASHER, SPLIT, 7/16 ID, BLK XYLAN	53
CWWALYN050-013	WASHER, SPLIT, 1/2 ID, BLK XYLAN	54
CWFA1124-901	SPACER, STEEL,5/8 OD X 1/2 ID X 1/4	55
CW30010-101	LABEL,WARNING STRENGTH	56
CW30069-101	LABEL,INSTRUCTION,FLT540	57
CW31759-101	LABEL,SMALL PRECOR USA ICARIAN LINE	58
CWWALYN050-013	WASHER, SPLIT, 1/2 ID, BLK XYLAN	61
CWTAYN031-250	SCREW, BUTTON HEAD, BLK XYLAN, 5/	62
CW12634-101	SPRING, TORSION 90 DEG X 0.484 X 0.	72
CW31770-742	LATCH PIVOTING PIN, CLR ZN	73
CWAMNN028-003	RING, RETAINING, 2-TURN, SPIRAL, SS	74
CW12633-101	ENDCAP, REC TUBE, LDP, 1 1/2 X 3 1	75
CWCP1017-101	CUT PIECE, UHMW, 1 1/2 OD X 1 ID X	77
CWLDNN031-150	PIN, ROLL, DIA. 5/16 X 1 1/2	78
CW31784-731	STOP PLUG, BLK ZN	79
CWAC218-901	HANDLE END CAP W/SET SCREWS, DIA 1"	82
CWCP1002-101	CUT PIECE, CREPE, 1/4 X 2 ID X 4 1/	83
CWGR2621-000	GRIP,RUBBER, 1" DIA, 21"	84
CWAC1177-101	FLOOR PROTECTOR, RUBBER, 4.563 X 4.	501
CWAC1178-101	FLOOR PROTECTOR, RUBBER, 2.563 X 6.	502
CWAC1181-101	FLOOR PROTECTOR, RUBBER, 4.563 X 4.	503



**540 Flite Bench Press**

<b>Part Number</b>	<b>Description</b>	<b>Bubble Number</b>
CW540SA1-211	ASSY,FRAME,SEAT,FLT540, SKY WHITE	1.01
CW540SA1-221	ASSY,FRAME,SEAT,FLT540, BLACK	1.02
CW540SA1-231	ASSY,FRAME,SEAT,FLT540, RED	1.03
CW540SA1-241	ASSY,FRAME,SEAT,FLT540, PLATINUM SP	1.04
CW540SA1-251	ASSY,FRAME,SEAT,FLT540, SILVER	1.05
CW540SA1-261	ASSY,FRAME,SEAT,FLT540, BLUE	1.06
CW540SA1-271	ASSY,FRAME,SEAT,FLT540, CHARCOAL	1.07
CW540SA1-281	ASSY,FRAME,SEAT,FLT540, CATHEDRAL G	1.08
CW540SA1-291	ASSY,FRAME,SEAT,FLT540, SILVER VIEN	1.09
CW540SA1-311	ASSY,FRAME,SEAT,FLT540, STONE HG	1.11
CW540SA1-321	ASSY,FRAME,SEAT,FLT540, TITANIUM HG	1.12
CW540SA1-331	ASSY,FRAME,SEAT,FLT540, WHITE GLOSS	1.13
CW540SA1-341	ASSY,FRAME,SEAT,FLT540, BLACK ONYX	1.14
CW540SA1-351	ASSY,FRAME,SEAT,FLT540, LIGHT BRONZ	1.15
CW540SA1-361	ASSY,FRAME,SEAT,FLT540, SAPPHIRE BL	1.16
CW10043-132	BUSHING, BRONZE, 1/2" ID X 3/4" OD	3
CW30165-751	ASSY, POP PIN, 0.450 DIA HANDLE, B	4
CW32460-321	ASSY, RATCHETING LEVER, TITANIUM	4
CW11311-102	ENDCAP, REC TUBE, 2X4, BLK PLASTIC	5
CW12402-101	BUMPER, WEIGHT STACK, BLK RUBBER	6
CW12575-101	MOULDED BUMPON, BLACK, 31.75MM SQ (	7
CW12407-101	PILLOW BLOCK, BEARING, FLANGE, 4 BO	9
CWCAYN025-050	SCREW, SOCKET HEAD, BLK XYLAN	10
CW10043-132	BUSHING, BRONZE, 1/2" ID X 3/4" OD	11
CWAC1236-102	GUIDE INSERT, PLASTIC WITH HOLE, BL	15
CWAC1236-101	GUIDE INSERT, PLASTIC WITHOUT HOLE,	16
CWPF1419-711	BAR, STEEL RND, CHM,DIA 1 1/4" X (2	18
CW31611-711	ASSY, MALE BACKPAD SUPPORT,	19
CW30165-751	ASSY, POP PIN, 0.450 DIA HANDLE, B	20
CW30014-109	CREPE, BLK, 7/16 X (3) X (3)	21
CWPD1101H-101	PAD,FLAT,10X47,4HOLES,W/SLIP,BLACK	23.01
CWPD1101H-102	PAD,FLAT,10X47,4HOLES,W/SLIP,RYL BL	23.02
CWPD1101H-103	PAD,FLAT,10X47,4HOLES,W/SLIP,DVE GR	23.03
CWPD1101H-104	PAD,FLAT,10X47,4HOLES,W/SLIP,CROCUS	23.04
CWPD1101H-105	PAD,FLAT,10X47,4HOLES,W/SLIP,GROTTO	23.05
CWPD1101H-106	PAD,FLAT,10X47,4HOLES,W/SLIP,GRAPHI	23.06
CWPD1101H-107	PAD,FLAT,10X47,4HOLES,W/SLIP,RED	23.07
CWPD1101H-108	PAD,FLAT,10X47,4HOLES,W/SLIP,CHN GR	23.08
CWPD1101H-109	PAD,FLAT,10X47,4HOLES,W/SLIP,TURQSE	23.09
CWPD1101H-110	PAD,FLAT,10X47,4HOLES,W/SLIP,RASP	23.1
CWPD1101H-111	PAD,FLAT,10X47,4HOLES,W/SLIP,PLUM	23.11
CWPD1101H-112	PAD,FLAT,10X47,4HOLES,W/SLIP,REGIME	23.12
CWPD1101H-113	PAD,FLAT,10X47,4HOLES,W/SLIP,SPC BL	23.13
CWPD1101H-115	PAD,FLAT,10X47,4HOLES,W/SLIP,BLK LT	23.15
CWPD1101H-116	PAD,FLAT,10X47,4HOLES,W/SLIP,NVBL L	23.16
CWPD1101H-117	PAD,FLAT,10X47,4HOLES,W/SLIP,PUTTY	23.17
CWPD1101H-118	PAD,FLAT,10X47,4HOLES,W/SLIP,IMPRL	23.18
CWPD1101H-119	PAD,FLAT,10X47,4HOLES,W/SLIP,YEW GR	23.19
CWPD1101H-120	PAD,FLAT,10X47,4HLES,W/SLIP,DSTY JA	23.2

CWPD1101H-121	PAD,FLAT,10X47,4HLES,W/SLIP,TRRA CT	23.21
CWPD1101H-123	PAD,FLAT,10X47,4HLS,W/SLIP,ASH LTHR	23.23
CWPD1101H-124	PAD,FLAT,10X47,4HLS,W/SLIP,CERULN L	23.24
CWPD1101H-125	PAD,FLAT,10X47,4HLS,W/SLIP,CHARCL L	23.25
CWPD1101H-126	PAD,FLAT,10X47,4HLS,W/SLIP,HUNTER L	23.26
CWPD1101H-127	PAD,FLAT,10X47,4HLS,W/SLIP,MOSS LTH	23.27
CWPD1101H-128	PAD,FLAT,10X47,4HLS,W/SLIP,SPICE LT	23.28
CWPD1101H-129	PAD,FLAT,10X47,4HLS,W/SLIP,TOMATO L	23.29
CWPD1123B-101	PAD,6X12,2HOLES,W/BP,BLACK	24.01
CWPD1123B-102	PAD,6X12,2HOLES,W/BP,RYL BL	24.02
CWPD1123B-103	PAD,6X12,2HOLES,W/BP,DVE GRY	24.03
CWPD1123B-104	PAD,6X12,2HOLES,W/BP,CROCUS	24.04
CWPD1123B-105	PAD,6X12,2HOLES,W/BP,GROTTO	24.05
CWPD1123B-106	PAD,6X12,2HOLES,W/BP,GRAPHITE	24.06
CWPD1123B-107	PAD,6X12,2HOLES,W/BP,RED	24.07
CWPD1123B-108	PAD,6X12,2HOLES,W/BP,CHN GRN	24.08
CWPD1123B-109	PAD,6X12,2HOLES,W/BP,TURQSE	24.09
CWPD1123B-110	PAD,6X12,2HOLES,W/BP,RASP	24.1
CWPD1123B-111	PAD,6X12,2HOLES,W/BP,PLUM	24.11
CWPD1123B-112	PAD,6X12,2HOLES,W/BP,REGIMENT	24.12
CWPD1123B-113	PAD,6X12,2HOLES,W/BP,SPC BLUE	24.13
CWPD1123B-115	PAD,6X12,2HOLES,W/BP,BLK LTHR	24.15
CWPD1123B-116	PAD,6X12,2HOLES,W/BP,NVBL LTH	24.16
CWPD1123B-117	PAD,6X12,2HOLES,W/BP,PUTTY	24.17
CWPD1123B-118	PAD,6X12,2HOLES,W/BP,IMPRL BL	24.18
CWPD1123B-119	PAD,6X12,2HOLES,W/BP,YEW GRN	24.19
CWPD1123B-120	PAD,6X12,2HOLES,W/BP,DSTY JD	24.2
CWPD1123B-121	PAD,6X12,2HOLES,W/BP,TER COT	24.21
CWPD1123B-123	PAD,6X12,2HOLES,W/BP,ASH LTHR	24.23
CWPD1123B-124	PAD,6X12,2HOLES,W/BP,CERULEAN LTHR	24.24
CWPD1123B-125	PAD,6X12,2HOLES,W/BP,CHARCOAL LTHR	24.25
CWPD1123B-126	PAD,6X12,2HOLES,W/BP,HUNTER LTHR	24.26
CWPD1123B-127	PAD,6X12,2HOLES,W/BP,MOSS LTHR	24.27
CWPD1123B-128	PAD,6X12,2HOLES,W/BP,SPICE LTHR	24.28
CWPD1123B-129	PAD,6X12,2HOLES,W/BP,TOMATO LTHR	24.29
CWPF1725-741	BAR,STEEL RND, DIA 1 1/4" X (11), 1	25
CWPF2003-721	PLATE,STEEL,1/4" THICK, 2 BENDS, WR	26
CWPF2219-721	BAR,STEEL, FLAT, 3/8 X 4 X (10), 1	29
CWSA1093-211	ASSY,ARM,LEFT,SKY WHITE	30.01
CWSA1093-221	ASSY,ARM,LEFT,BLACK	30.02
CWSA1093-231	ASSY,ARM,LEFT,RED	30.03
CWSA1093-241	ASSY,ARM,LEFT,PLAT SPKLE	30.04
CWSA1093-251	ASSY,ARM,LEFT,SILVER	30.05
CWSA1093-261	ASSY,ARM,LEFT,BLUE	30.06
CWSA1093-271	ASSY,ARM,LEFT,CHARCOAL	30.07
CWSA1093-281	ASSY,ARM,LEFT,CATH GRY	30.08
CWSA1093-291	ASSY,ARM,LEFT,SILVER VIEN	30.09
CWSA1093-311	ASSY,ARM,LEFT,STONE HG	30.11
CWSA1093-321	ASSY,ARM,LEFT,TITANIUM HG	30.12
CWSA1093-331	ASSY,ARM,LEFT,WHITE GLOSS	30.13
CWSA1093-341	ASSY,ARM,LEFT,BLACK ONYX	30.14

CWSA1093-351	ASSY,ARM,LEFT,LIGHT BRONZE	30.15
CWSA1093-361	ASSY,ARM,LEFT,SAPPHIRE BLUE	30.16
CWSA1094-211	ASSY,ARM,RIGHT,SKY WHITE	31.01
CWSA1094-221	ASSY,ARM,RIGHT,BLACK	31.02
CWSA1094-231	ASSY,ARM,RIGHT,RED	31.03
CWSA1094-241	ASSY,ARM,RIGHT,PLAT SPKLE	31.04
CWSA1094-251	ASSY,ARM,RIGHT,SILVER	31.05
CWSA1094-261	ASSY,ARM,RIGHT,BLUE	31.06
CWSA1094-271	ASSY,ARM,RIGHT,CHARCOAL	31.07
CWSA1094-281	ASSY,ARM,RIGHT,CATH GRY	31.08
CWSA1094-291	ASSY,ARM,RIGHT,SILVER VIEN	31.09
CWSA1094-311	ASSY,ARM,RIGHT,STONE HG	31.11
CWSA1094-321	ASSY,ARM,RIGHT,TITANIUM HG	31.12
CWSA1094-331	ASSY,ARM,RIGHT,WHITE GLOSS	31.13
CWSA1094-341	ASSY,ARM,RIGHT,BLACK ONYX	31.14
CWSA1094-351	ASSY,ARM,RIGHT,LIGHT BRONZE	31.15
CWSA1094-361	ASSY,ARM,RIGHT,SAPPHIRE BLUE	31.16
CWSA1095-211	ASSY, SWIVEL HEIGHT ADJ, SKY WHITE	32.01
CWSA1095-221	ASSY, SWIVEL HEIGHT ADJ, BLACK	32.02
CWSA1095-231	ASSY, SWIVEL HEIGHT ADJ, RED	32.03
CWSA1095-241	ASSY, SWIVEL HEIGHT ADJ, PLAT SPKLE	32.04
CWSA1095-251	ASSY, SWIVEL HEIGHT ADJ, SILVER	32.05
CWSA1095-261	ASSY, SWIVEL HEIGHT ADJ, BLUE	32.06
CWSA1095-271	ASSY, SWIVEL HEIGHT ADJ, CHARCOAL	32.07
CWSA1095-281	ASSY, SWIVEL HEIGHT ADJ, CATHGRAY	32.08
CWSA1095-291	ASSY, SWIVEL HEIGHT ADJ, SILVER VIE	32.09
CWSA1095-311	ASSY, SWIVEL HEIGHT ADJ, STONE HG	32.11
CWSA1095-321	ASSY, SWIVEL HEIGHT ADJ, TITANIUM H	32.12
CWSA1095-331	ASSY, SWIVEL HEIGHT ADJ, WHITE GLOS	32.13
CWSA1095-341	ASSY, SWIVEL HEIGHT ADJ, BLACK ONYX	32.14
CWSA1095-351	ASSY, SWIVEL HEIGHT ADJ, LIGHT BRON	32.15
CWSA1095-361	ASSY, SWIVEL HEIGHT ADJ, SAPPHIRE B	32.16
CWSA2000-211	ASSY,FRAME,MAIN,2000,SKY WHITE	33.01
CWSA2000-221	ASSY,FRAME,MAIN,2000,BLACK	33.02
CWSA2000-231	ASSY,FRAME,MAIN,2000,RED	33.03
CWSA2000-241	ASSY,FRAME,MAIN,2000,PLAT SPRKLE	33.04
CWSA2000-251	ASSY,FRAME,MAIN,2000,SILVER	33.05
CWSA2000-261	ASSY,FRAME,MAIN,2000,BLUE	33.06
CWSA2000-271	ASSY,FRAME,MAIN,2000,CHARCOAL	33.07
CWSA2000-281	ASSY,FRAME,MAIN,2000,CATH GRAY	33.08
CWSA2000-291	ASSY,FRAME,MAIN,2000,SILVER VIEN	33.09
CWSA2000-311	ASSY,FRAME,MAIN,FLT540,STONE HG	33.11
CWSA2000-321	ASSY,FRAME,MAIN,2000,TITANIUM HG	33.12
CWSA2000-331	ASSY,FRAME,MAIN,2000,WHITE GLOSS	33.13
CWSA2000-341	ASSY,FRAME,MAIN,2000,BLACK ONYX	33.14
CWSA2000-351	ASSY,FRAME,MAIN,2000,LT. BRONZE	33.15
CWSA2000-361	ASSY,FRAME,MAIN,2000,SAPPHIRE BL	33.16
CWSA2042-741	ASSY, WEIGHT HOLDER,	34
CWSA3022-211	ASSY,FEMALE BACKPAD SELECTOR,FLT540	35.01
CWSA3022-221	ASSY,FEMALE BACKPAD SELECTOR,FLT540	35.02
CWSA3022-231	ASSY,FEMALE BACKPAD SELECTOR,FLT540	35.03

CWSA3022-241	ASSY,FEMALE BACKPAD SELECTOR,FLT540	35.04
CWSA3022-251	ASSY,FEMALE BACKPAD SELECTOR,FLT540	35.05
CWSA3022-261	ASSY,FEMALE BACKPAD SELECTOR,FLT540	35.06
CWSA3022-271	ASSY,FEMALE BACKPAD SELECTOR,FLT540	35.07
CWSA3022-281	ASSY,FEMALE BACKPAD SELECTOR,FLT540	35.08
CWSA3022-291	ASSY,FEMALE BACKPAD SELECTOR,FLT540	35.09
CWSA3021-311	ASSY,FEMALE BACKPAD SELECTOR,STONE	35.11
CWSA3022-321	ASSY,FEMALE BACKPAD SELECTOR,FLT540	35.12
CWSA3022-331	ASSY,FEMALE BACKPAD SELECTOR,FLT540	35.13
CWSA3022-341	ASSY,FEMALE BACKPAD SELECTOR,FLT540	35.14
CWSA3022-351	ASSY,FEMALE BACKPAD SELECTOR,FLT540	35.15
CWSA3022-361	ASSY,FEMALE BACKPAD SELECTOR,FLT540	35.16
CWHCYN050-100	SCREW,HEX HEAD,BLK XYLAN,1/2-13 X 1	36
CWHCYN044-375	SCREW, HEX HEAD , BLK XYLA	37
CWHCYN050-250	SCREW, HEX HEAD, BLK XYLAN, 1/2-13	38
CWHCYN050-300	SCREW, HEX HEAD, BLK XYLAN, 1/2-13	39
CWHCYN050-550	SCREW, HEX,BLK, 1/2-13 X 5 1/2	40
CWKADLN031-053	NUT, ACORN, 5/16-18	41
CWKMYN044-038	NUT, HEX, UNC, 7/16-14, BLK XYLAN	42
CWKAYN050-031	LOCKNUT, NYLON INSERT, HALF, UNC, 1	43
CWSA3021-312	ASSY,FEMALE BACKPAD SELECTOR,STONE	44.11
CWTAYN031-150	SCREW, BUTTON HEAD, BLK XYLAN,5/16	45
CWTAYN050-100	SCREW, BUTTON HEAD, BLK XYLAN, 1/2	46
CWPJCN016-075	SCREW, S/T, #8 X 3/4, WASHER HEAD,	48
CWWBKN031-007	WASHER, FLAT, TYPE A, SAE, 5/16 ID	50
CWWBKN050-010	WASHER, FLAT, TYPE A, SAE, 1/2 ID X	51
CWWALYN031-008	WASHER, SPLIT, 5/16 ID, BL	52
CWWALYN044-011	WASHER, SPLIT, 7/16 ID, BLK XYLAN	53
CWWALYN050-013	WASHER, SPLIT, 1/2 ID, BLK XYLAN	54
CWFA1124-901	SPACER, STEEL,5/8 OD X 1/2 ID X 1/4	55
CW30010-101	LABEL,WARNING STRENGTH	56
CW30069-101	LABEL,INSTRUCTION,FLT540	57
CW31759-101	LABEL,SMALL PRECOR USA ICARIAN LINE	58
CWWALYN050-013	WASHER, SPLIT, 1/2 ID, BLK XYLAN	61
CWTAYN031-250	SCREW, BUTTON HEAD, BLK XYLAN, 5/	62
CW12634-101	SPRING, TORSION 90 DEG X 0.484 X 0.	72
CW31770-742	LATCH PIVOTING PIN, CLR ZN	73
CWAMNN028-003	RING, RETAINING, 2-TURN, SPIRAL, SS	74
CW12633-101	ENDCAP, REC TUBE, LDP, 1 1/2 X 3 1	75
CWCP1017-101	CUT PIECE, UHMW, 1 1/2 OD X 1 ID X	77
CWLDNN031-150	PIN, ROLL, DIA. 5/16 X 1 1/2	78
CW31784-731	STOP PLUG, BLK ZN	79
CWAC218-901	HANDLE END CAP W/SET SCREWS, DIA 1"	82
CWCP1002-101	CUT PIECE, CREPE, 1/4 X 2 ID X 4 1/	83
CWGR2621-000	GRIP,RUBBER, 1" DIA, 21"	84
CWAC1177-101	FLOOR PROTECTOR, RUBBER, 4.563 X 4.	501
CWAC1178-101	FLOOR PROTECTOR, RUBBER, 2.563 X 6.	502
CWAC1181-101	FLOOR PROTECTOR, RUBBER, 4.563 X 4.	503